



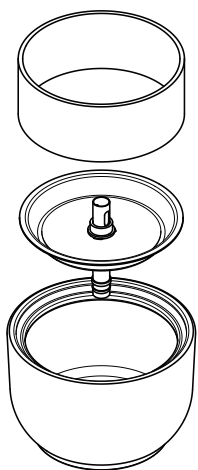
# CANDLE & TABLETOP USER GUIDE

Read before use.

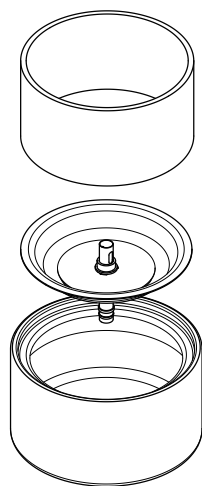
[tenderflame.com.au](http://tenderflame.com.au)



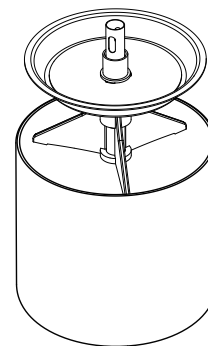
**VILOT**



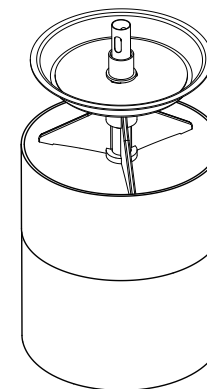
**ASTER**



**LILLY 8/10**



**8cm**

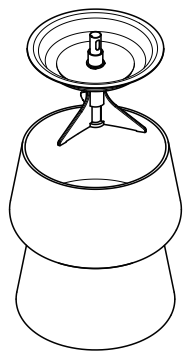


**10cm**





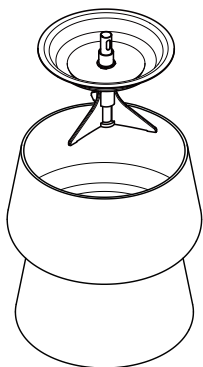
**AMARYLLIS 10  
POPPY 14**



10cm



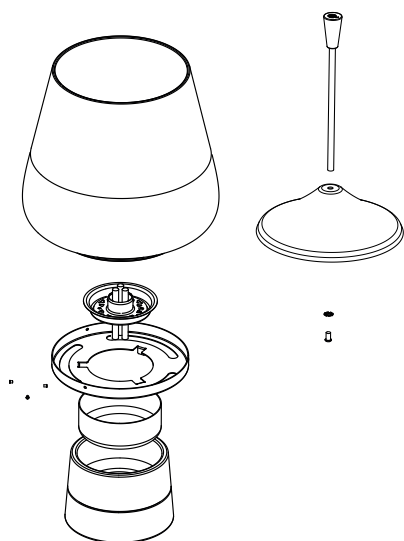
**AMARYLLIS 14**



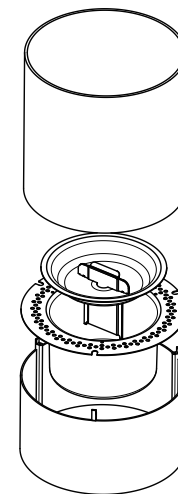
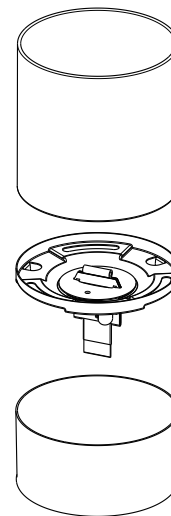
14cm



**AMARYLLIS 25  
POPPY 3W**

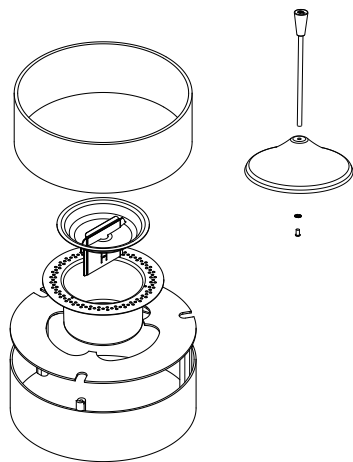
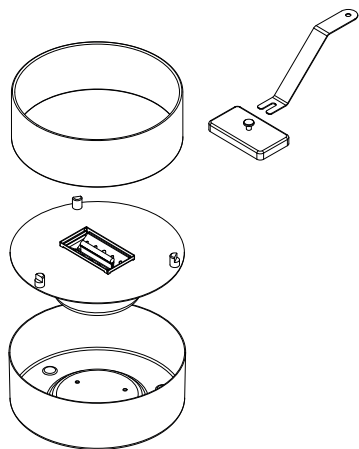


**TOWER**

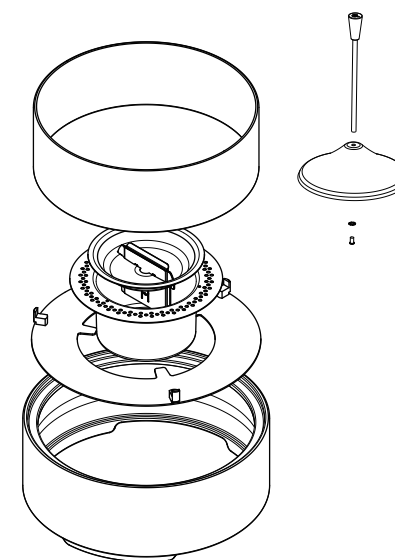
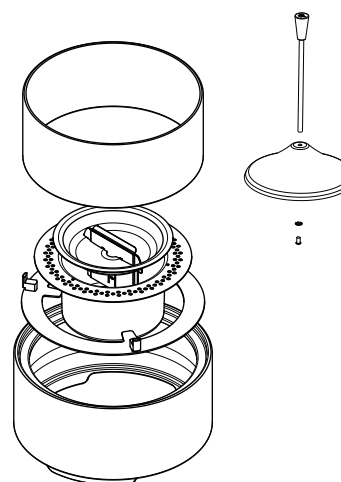




### CAFÉ ALU

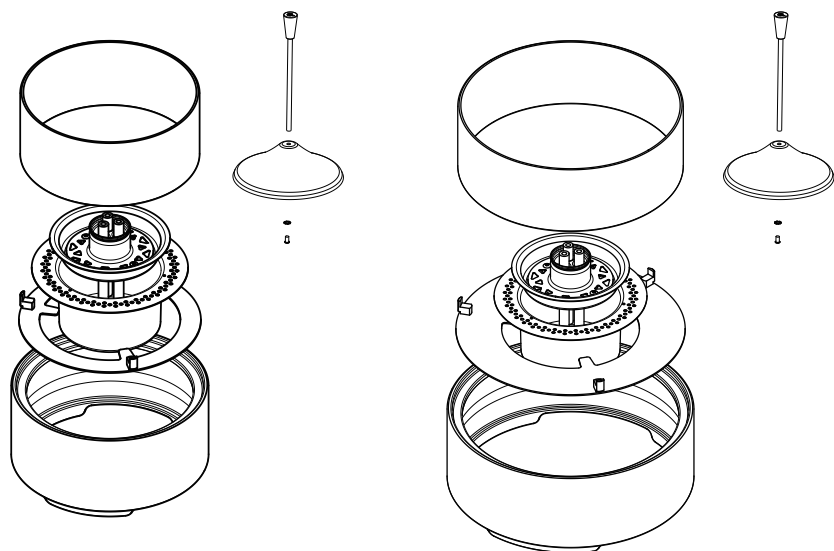


### CAFÉ 14/18

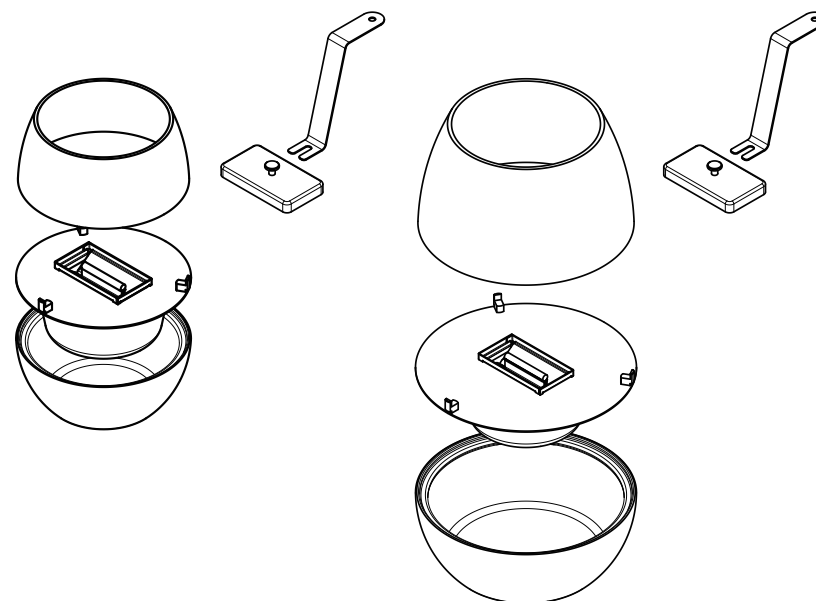




### CAFÉ 3W 14/18

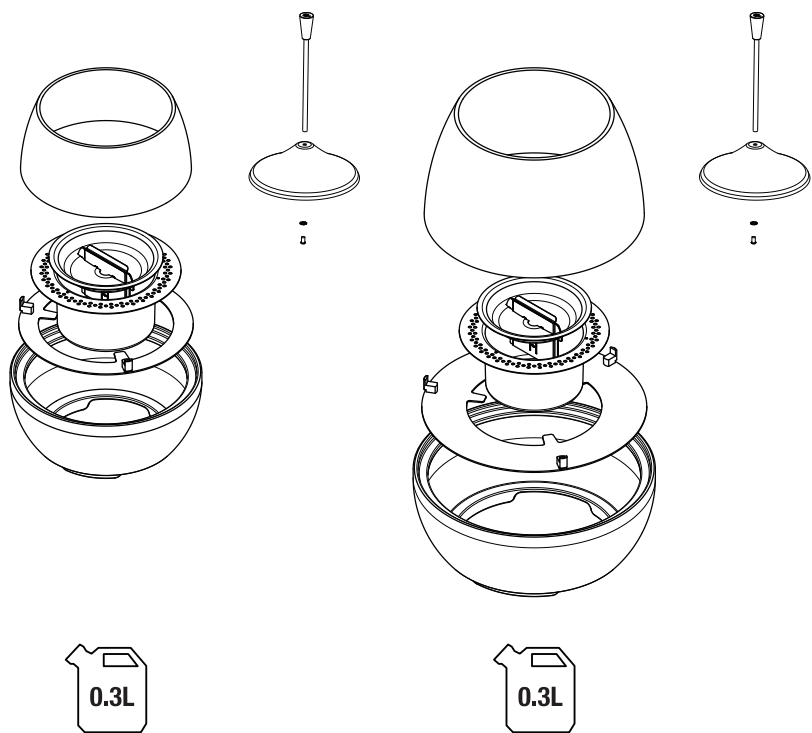


### TULIP 14/18

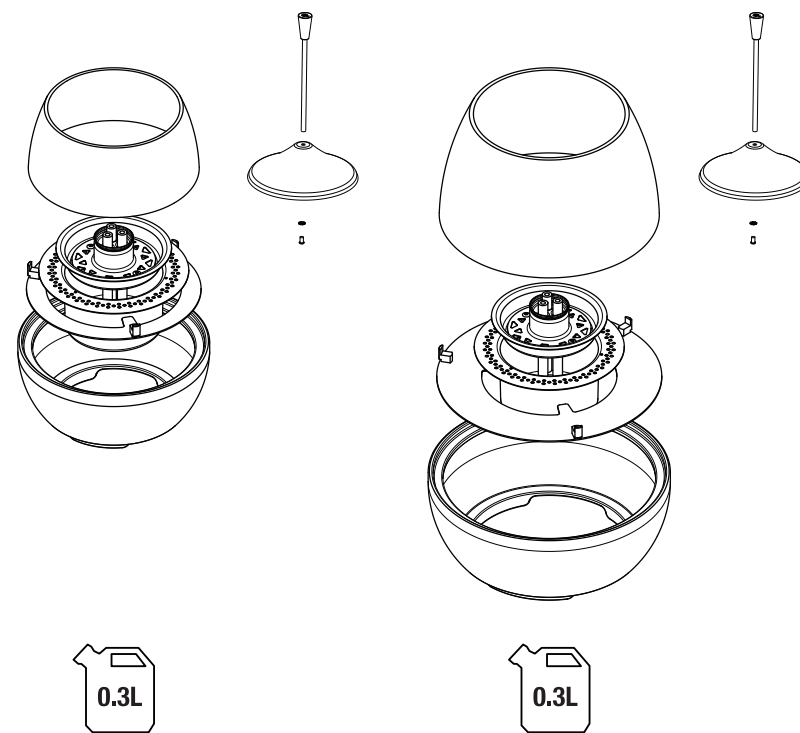




### TULIP 14/18

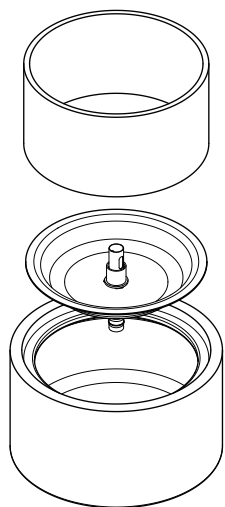
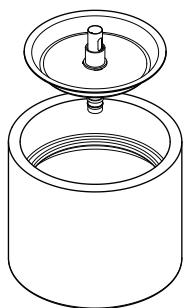


### TULIP 3W 14/18

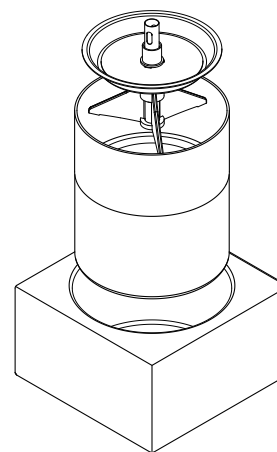




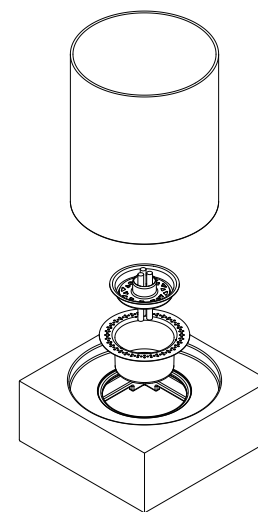
**BREEZE 8/10**



**ERICA 12**

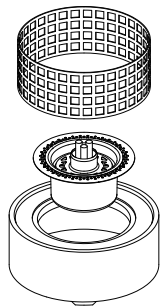


**JASMINE 3W**

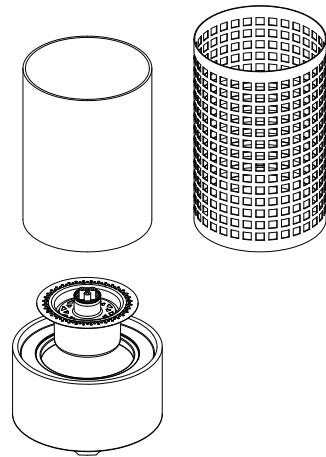




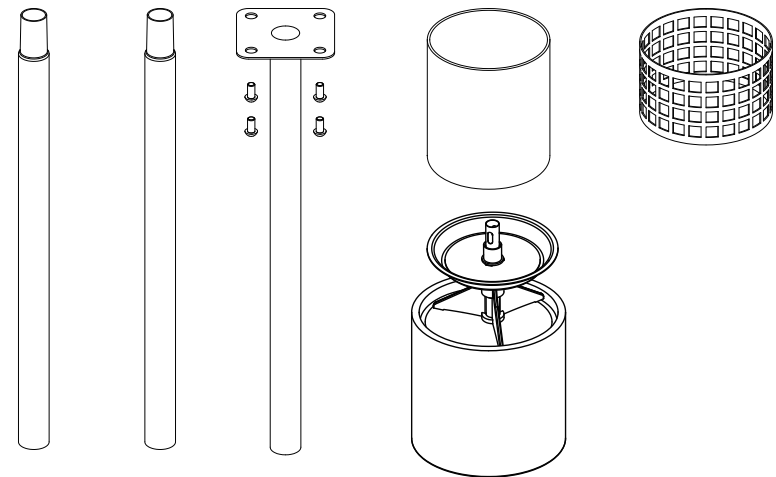
### PAARL



### CAMPS BAY

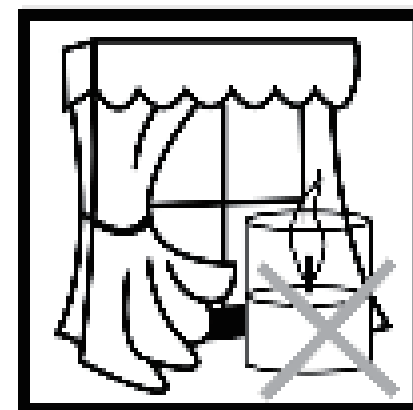
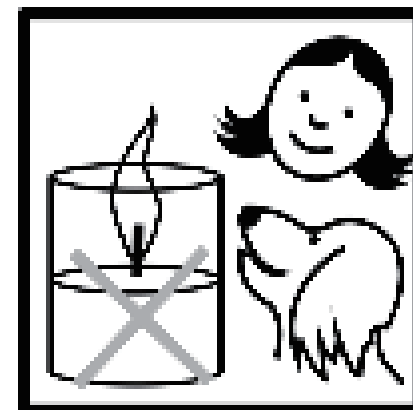
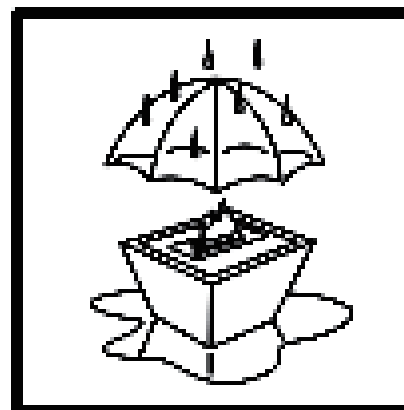
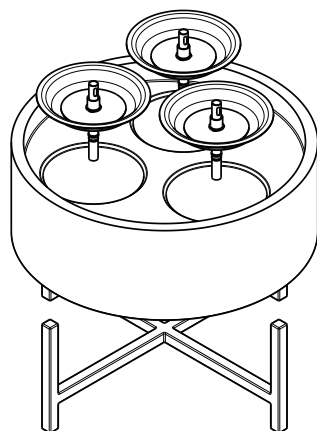


### SIGNAL HILL ROUND





COSMOS 10x3





## Important: must be read before use!

Congratulations on purchasing your Tenderflame tabletop decorative firebowl. It has been developed so that you can enjoy a real flame wherever you like. The revolutionary SteelWick is designed to be used only with our Tenderfuel. The tabletop firebowl is well-suited for use both indoors and outdoors. Please ensure that you read and follow these instructions, and you can then enjoy the unique Tenderflame without any worries.

### Operation Instructions

- Slowly pour the fuel into the container and moisten the wick with a little of the fuel.
- There should not be any fluid above the plate.
- IMPORTANT - do not fill over the plate. Excess fluid should be poured out.
- Use a long lighter to ignite the tip of the steel wick.
- Hold the flame for at least 10 seconds to ensure the fire is lit.
- Tower, Sunflower, Crocus and Lilly: simply blow out the flame.
- Should not be exposed to rain or excess moisture. Bring the unit inside after use outside or cover it sufficiently.

### Placement

- The tabletop fireplace should be placed on a level, stable, fixed and suitable surface, so that it cannot tip over, and the liquid does not slosh around.
- Keep a safe distance from light inflammable materials when positioning the decorative fireplace. The minimum distance to loose textiles, such as curtains, should be 1 meter, and there should be 1.5 meters free space above the burner opening.
- The decorative fireplace should not be placed so that it causes danger to the surroundings or comes into contact with children, intoxicated persons or pets. Also ensure that other objects cannot fall onto the bowl and tip it over.

### Non-flammable and non-toxic safety fuel.

#### Features:

- Non-flammable fuel with high flash point (104°C/220°F) so that the fuel only burns in combination with the patented wick, thus making use and refueling very safe.
- The design of the wick provides better insulation against a high-temperature flame, keeping the container and the fuel at lower temperature, well below flash point.
- The combination of non-flammable fuel and the patented wick can prevent hazard scenarios caused by refueling, explosions during use (unrelated to refueling), the ejection of the firepit burn cup; and the spread of fire should the fuel container tip over.

### Warning

- Read and understand the user guide carefully and completely before use.
- Do not use gasoline or other flammable vapors and liquids in the vicinity of the appliance.
- Use only safety Tenderfuel. Do not use lamp oil or ethanol!
- Never touch the glass while in use. Hot glass will cause burns and injuries.
- Always use the lid and lever to extinguish the flame. (Café, Rose and Tulip)
- Never leave children or pets unattended near the unit during use.
- Never fill fuel into the container when it is burning.
- Never move the unit during use.
- Allow cooling time after use. Do not touch the glass before it is cooled down.
- Always use in a well-ventilated area.
- Never use the unit near anything that can catch fire.
- Do not use water or other liquid to extinguish the flame.
- Do not place your body above the flame or near the glass. This may cause burns and injuries.
- Do not spray or expose any flammable materials near the flame.
- Any cracked or broken glass must be replaced. Continuing use under this condition may cause injury.

### Hot surfaces. Do not touch before cooled down.



Manufacturer

Tenderflame B.V. Ir. Lelyweg 8 2031 CD Haarlem - The Netherlands



Authorised Distributer Australia & New Zealand  
Enquiries: [marketing@ixl.com.au](mailto:marketing@ixl.com.au)

[tenderflame.com.au](http://tenderflame.com.au)