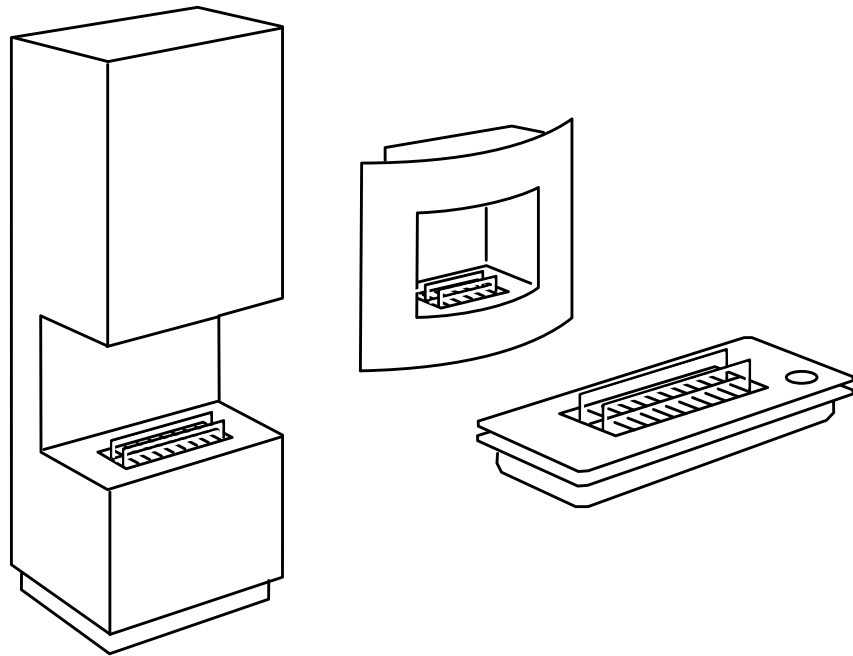


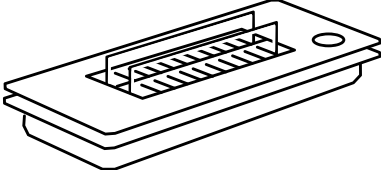



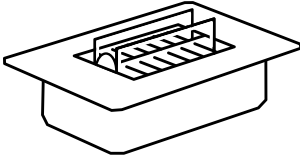

# FIREPLACE USER GUIDE

Read before use.

[tenderflame.com.au](http://tenderflame.com.au)

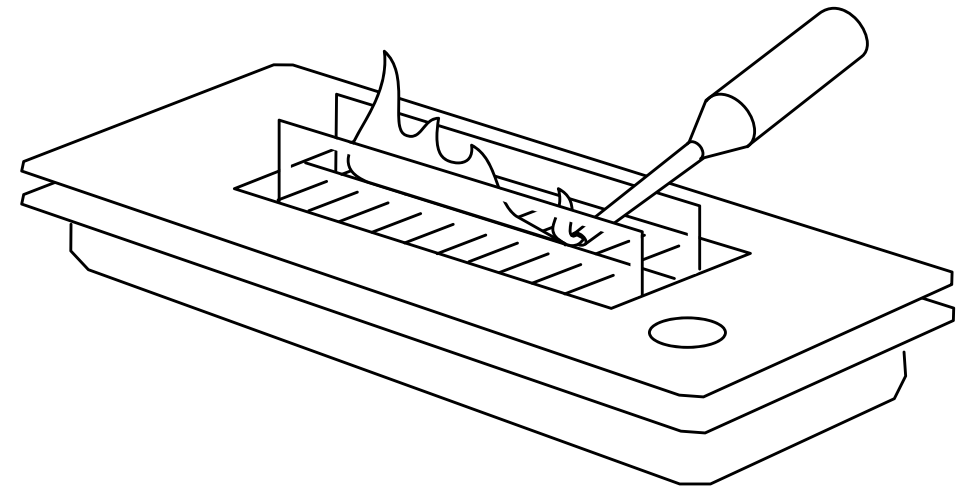
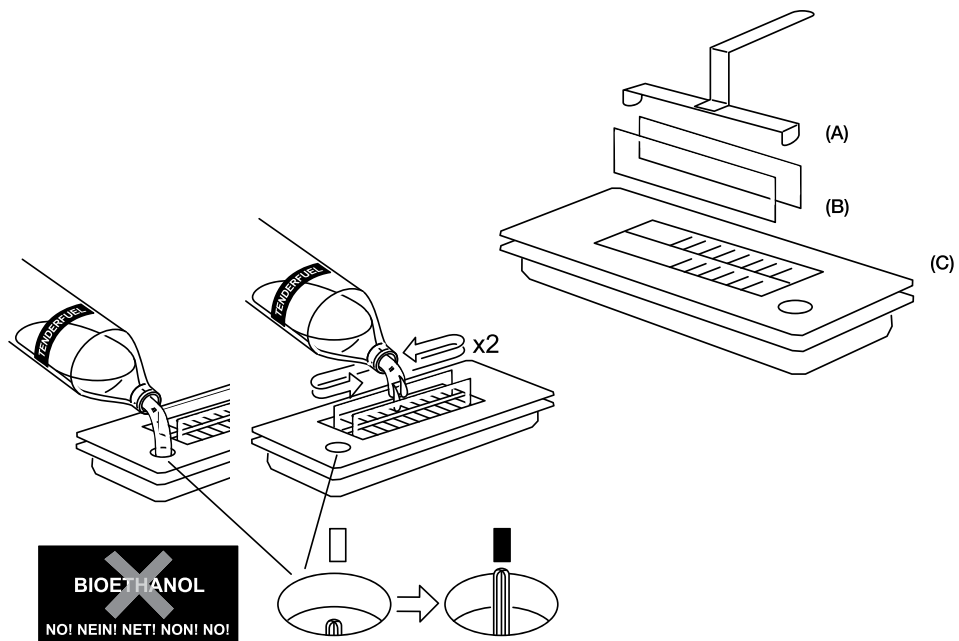


	 <b>1.0L</b>
<b>Tenderflame 180</b>	
378x158x98mm	

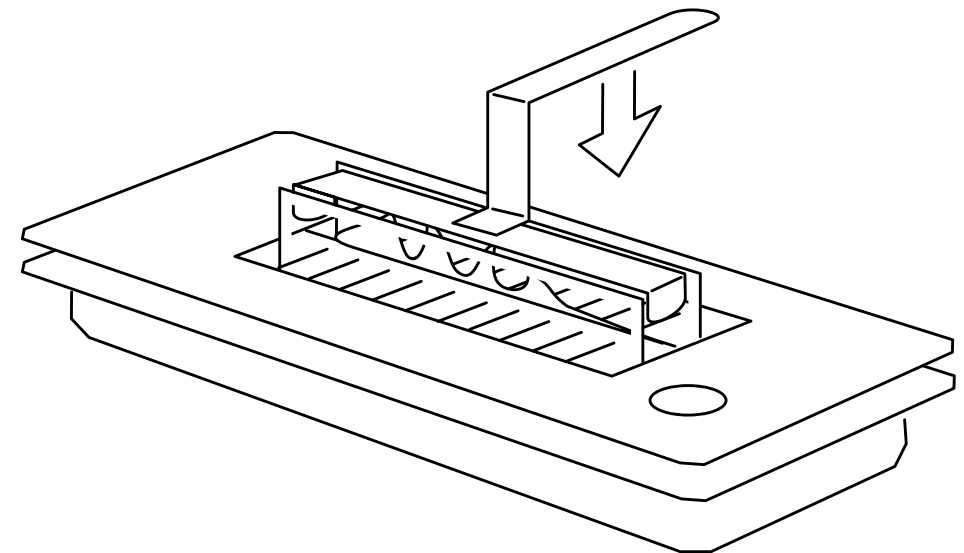
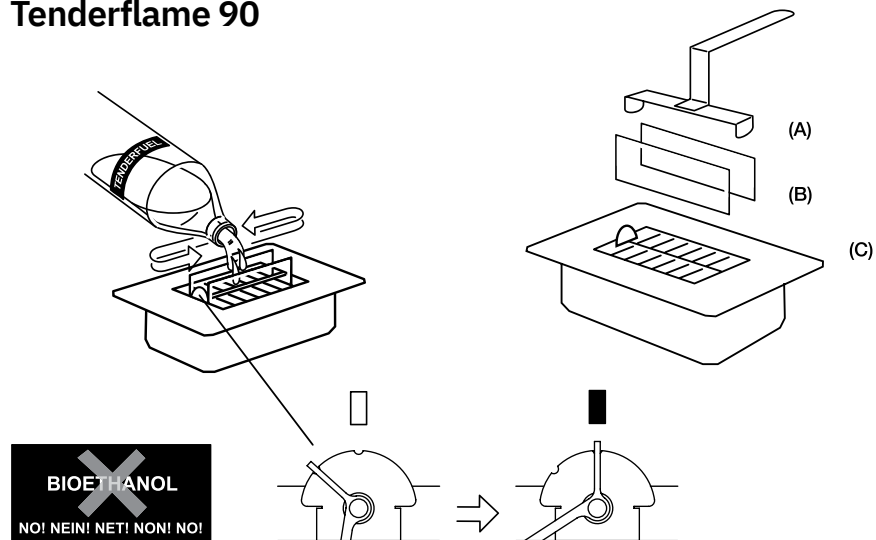
	 <b>0.5L</b>
<b>Tenderflame 90</b>	
195x132x96mm	

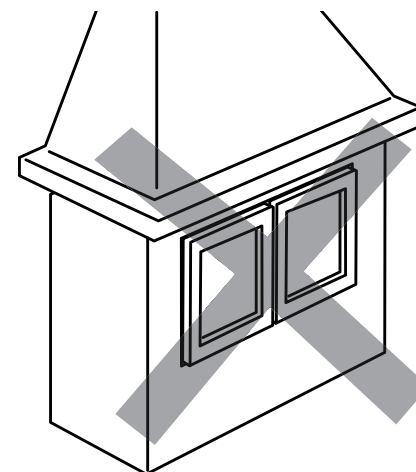
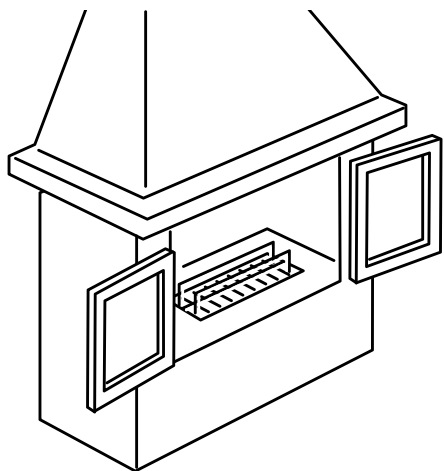
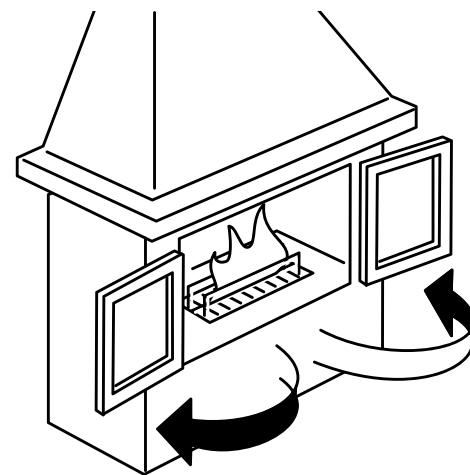
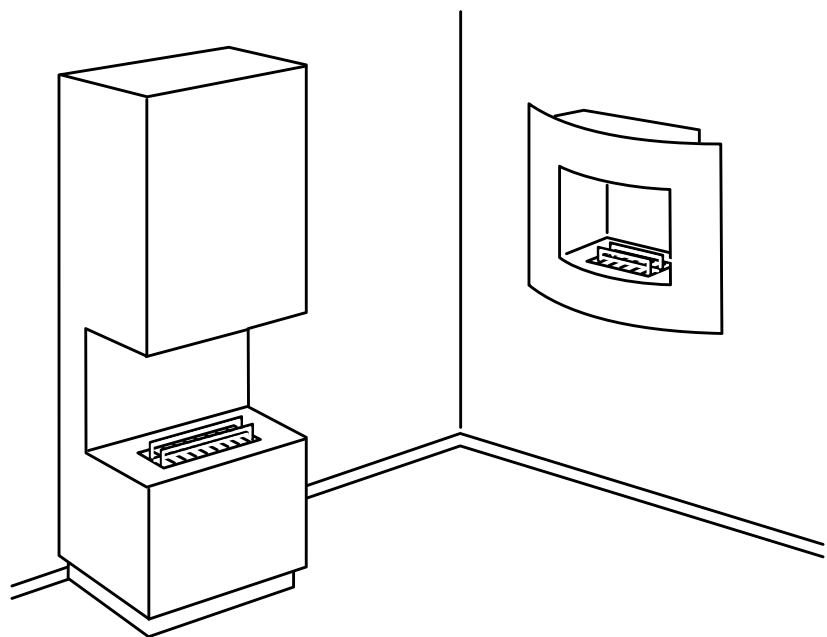


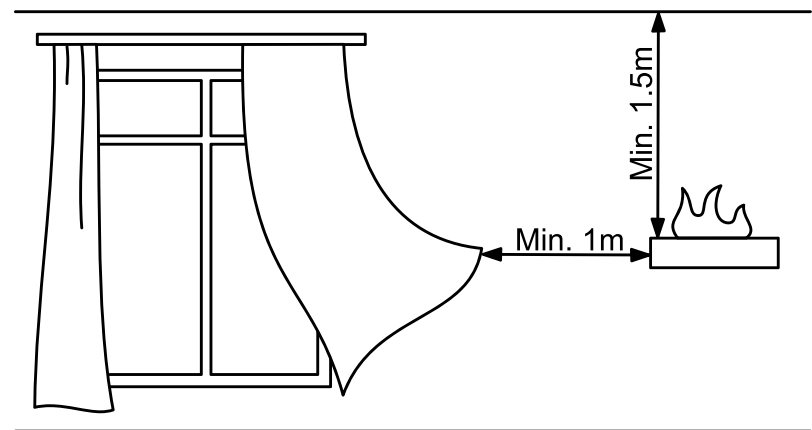
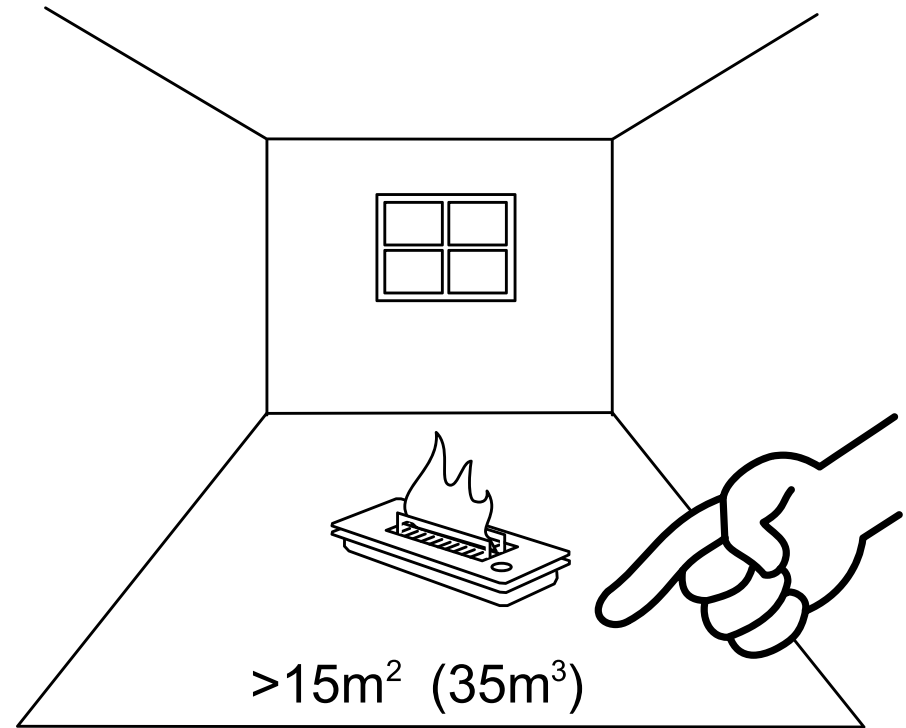
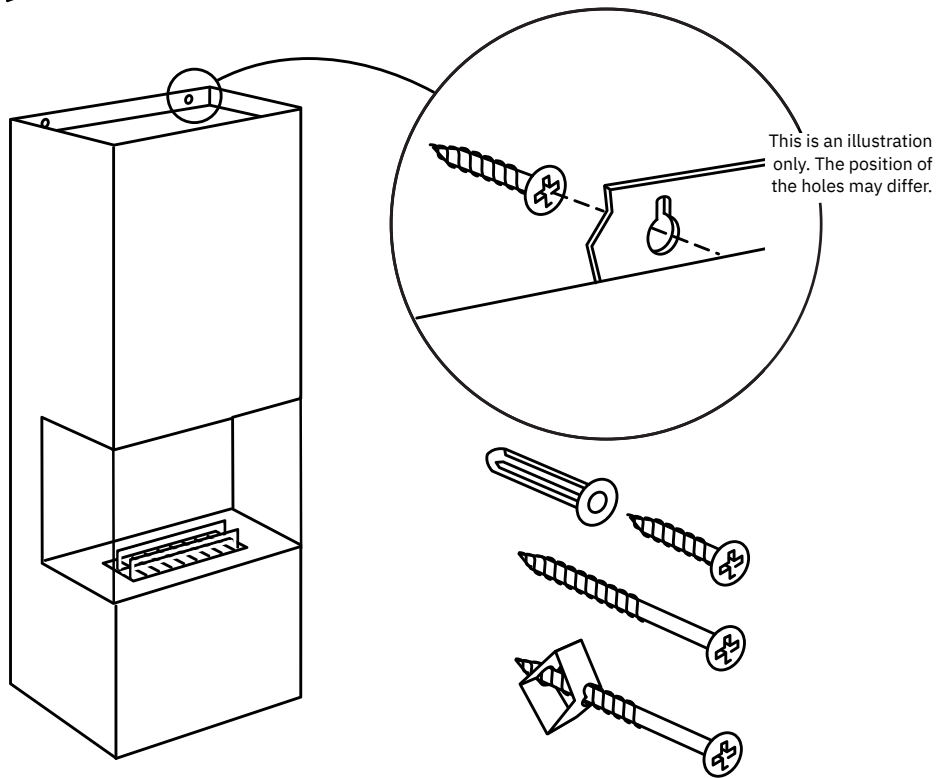
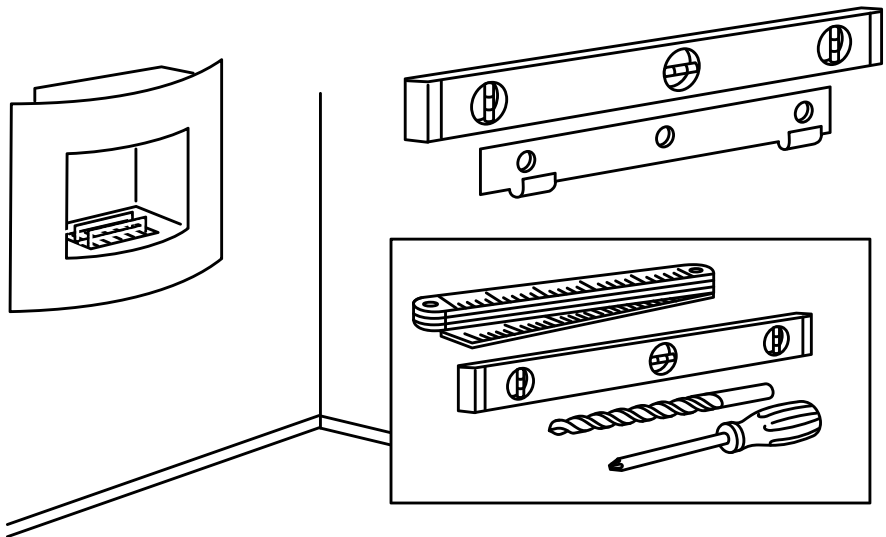
## Tenderflame 180

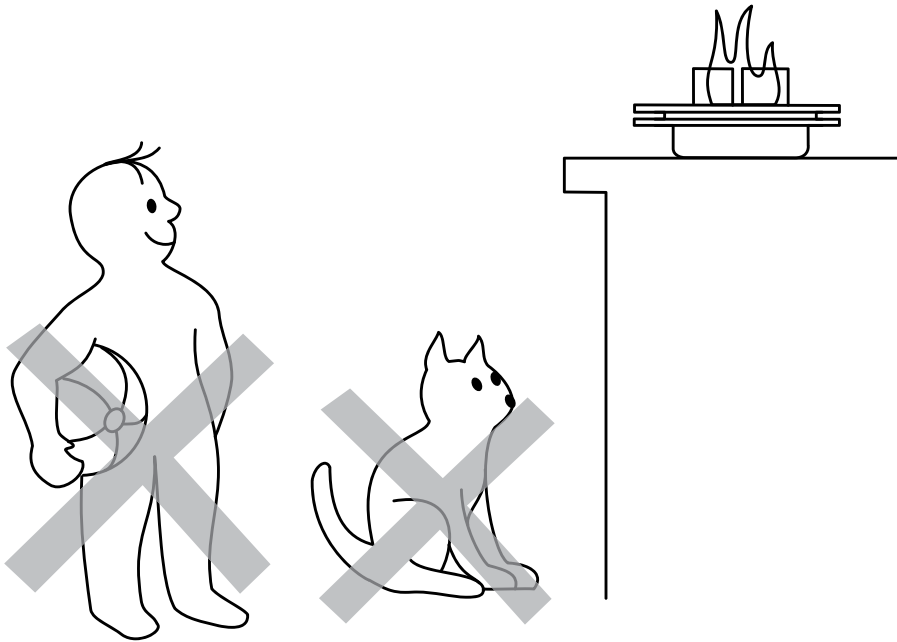


## Tenderflame 90









**BIOETHANOL**  
**NO! NEIN! NET! NON! NO!**



## Please read before use

### Tenderflame 90 and 180 Burner

**This user guide is for all our fireplaces. For fireplace installation, please refer to the chapter for each individual fireplace.**

#### The following is included:

- Tank
- Wick unit
- Tank gauge
- Glass
- Extinguisher

#### Assembly instructions

1. Remove all packaging.
2. Place the two glasses in the grooves on each side of the wick.

#### User Guide

1. Wet the wick with Tenderfuel before use. Slowly pour the liquid over the entire wick. Then, fill the tank through the opening.
2. The tank of the 180 burner is full when the red mark on the tank gauge is above the top plate. The tank of the 90 burner is full when the red indicator is pointing straight up (see illustration page 2).
3. Light the wick at both ends with a Tenderflame lighter or any other fireplace lighter. Hold the lighter to the wick for about 10 seconds. The fireplace may emit a slight odour the first few times it is used, as well as when it is extinguished. The flame may take a few minutes to reach its full size.
4. Never leave a burning flame unattended.
5. Only use Tenderfuel fuel. The lifetime warranty for the wick is only valid when Tenderfuel is used.
- 6. NEVER USE BIOETHANOL OR PARAFFIN OIL!**
7. Avoid refuelling while the wick is burning.
8. The burner should never be covered or moved while in use. Must not be used as anything other than a decorative fireplace.
9. If spilled, the fuel can be wiped up with a cloth.

#### Extinguishing

1. Place the extinguishing lid over the wick. The flame will go out in a few seconds.
2. Leave the extinguishing lid on the burner until it cools.

#### Warnings

1. Never touch the glass or the burner while it is in use. The glass can get very hot!
2. Let the burner cool for at least 5 minutes before refilling to avoid steam.
3. Keep flammable liquids away from the flame.
4. If more than one burner is installed in a room, the room size must be at least 15m multiplied by the number of burners.
5. Never move the burner while it is in use.
6. Do not place ceramic wood logs or other decorative elements directly above the flames - this may cause the burner to overheat.

#### Troubleshooting

The burner fails to ignite: Ensure that the wick has been moistened with fuel and try again.

The flame can't be extinguished: Take the extinguishing lid off and place it over the wick again. Make sure that it covers the entire wick.

#### Maintenance

The fireplace does not require special maintenance beyond regular cleaning. Use a damp cloth to wipe the burner regularly. Clean the glass with a glass cleaning agent.



## Assembly Instructions

### Wall Fireplace

**Follow these assembly instructions to ensure safe operation.**

1. The fireplace requires a minimum room size of 15m<sup>2</sup> (35m<sup>2</sup>).
2. Remove any protective film on the stove and other attachments before use.
3. The fireplace must be placed on a solid, straight wall.
4. The fireplace comes with a mounting bracket in the box. The extinguishing lid and glass are packed with the burner.
5. Position the bracket at the desired height on the wall and mark its position by putting a mark through the central screw hole in the bracket. Mark the other screw holes and create the holes. Use a spirit level! Next, screw in the other screws. (Use wall plugs and screws suited for the wall in question)
6. The screws and the bracket should be able to support a weight of up to 50kg.
7. Ensure that there is an equal amount of distance from the back of the fireplace to the wall across the entire length of the fireplace.
8. Place the burner unit in the combustion chamber (See illustration).

### Floor and freestanding models

**Follow these assembly instructions to ensure safe operation.**

1. The fireplace requires a minimum room size of 15m<sup>2</sup> (35m<sup>2</sup>).
2. The fireplace should be placed on a level, stable and suitable surface, so that it cannot tip over. Keep a safe distance from light inflammable materials when positioning the decorative fireplace. The minimum distance to loose textiles, such as curtains, should be 1 meter. For stand-alone fireplaces there should be 1.5 meters free space above the burner opening.
3. For the Tenderflame Indie Freestanding model: The fireplace should stand on a flat surface against a wall. Optional: To secure the fireplace, screw the fireplace to the wall. The key holes for the screws are located at the top of each side at the back of the fireplace. (see: illustration). Use screws and plugs suited for concrete, wood or plaster. The screw attachment must support a weight of up to 50kg. It has four adjustable feet underneath.
4. Place the burner unit in the combustion chamber (See illustration).

## Tenderflame Classic - for open fireplaces

**The burner is designed for use in open fireplaces.  
Please take care to follow these instructions:**

1. The burner should be placed on a level, stable, fixed and suitable surface, so that it cannot tip over and the liquid does not slosh around.
2. If used in a wood oven with closed burning chamber, the doors of the stove must be kept open to avoid too high temperatures in the burner.
3. Keep a safe distance from easily inflammable materials when placing the decorative fireplace. The minimum distance to loose textiles, such as curtains, should be 1 meter.
4. The decorative fireplace should not be placed so that it causes danger to the surroundings or comes into contact with children, intoxicated persons or pets. Also ensure that other objects cannot fall onto the burner.
5. Ensure adequate ventilation in the room. Minimum room size should be 15 sqm<sup>2</sup>.

**The surfaces of the burner and glass can be hot!  
Remember that all use of fire requires caution!**



Manufacturer

Tenderflame B.V. Ir. Lelyweg 8 2031 CD Haarlem - The Netherlands



Authorised Distributer Australia & New Zealand  
Enquiries: [marketing@ixl.com.au](mailto:marketing@ixl.com.au)

[tenderflame.com.au](http://tenderflame.com.au)